

TECHNICAL SPECIFICATION

F.O. FIELD CONNECTOR ST

Romatecsans Fibre Optic Field Installable Connectors are manufactured under the telecommunications quality standards. All the parts are made from Ultem material to withstand high temperature and external shocks. Our ST FIC is design with great details and high technology.



	Specification
SC Standard	TIA/EIA 604-2 (ST)
Insertion Loss	Typical 0.3dB / Max. 0.5dB
Return Loss	≥ 55dB (PC) / ≥ 55dB (APC)
Operating Temperature (°C)	-45 to +85
Endurande	500 times reconnection / ≤ 0.1dB
Tension	3mm, 2mm, 1.6mm (3kg / ≤ 0.2dB change) 250um & 900um (0.75kg / ≤ 0.3dB change)

	End Face Geometry (Based on GR-326) APC	End Face Geometry (Based on GR-326) PC
Ferrule Endface Radius (mm)	5 ~ 12	7 ~ 25
Fiber Undercut (nm)	Less than 100	Less than 100
Fiber Protrusion (nm)	Less than 100	Less than 100
Apex Offset (um)	Less than 50	Less than 50

HONG KONG

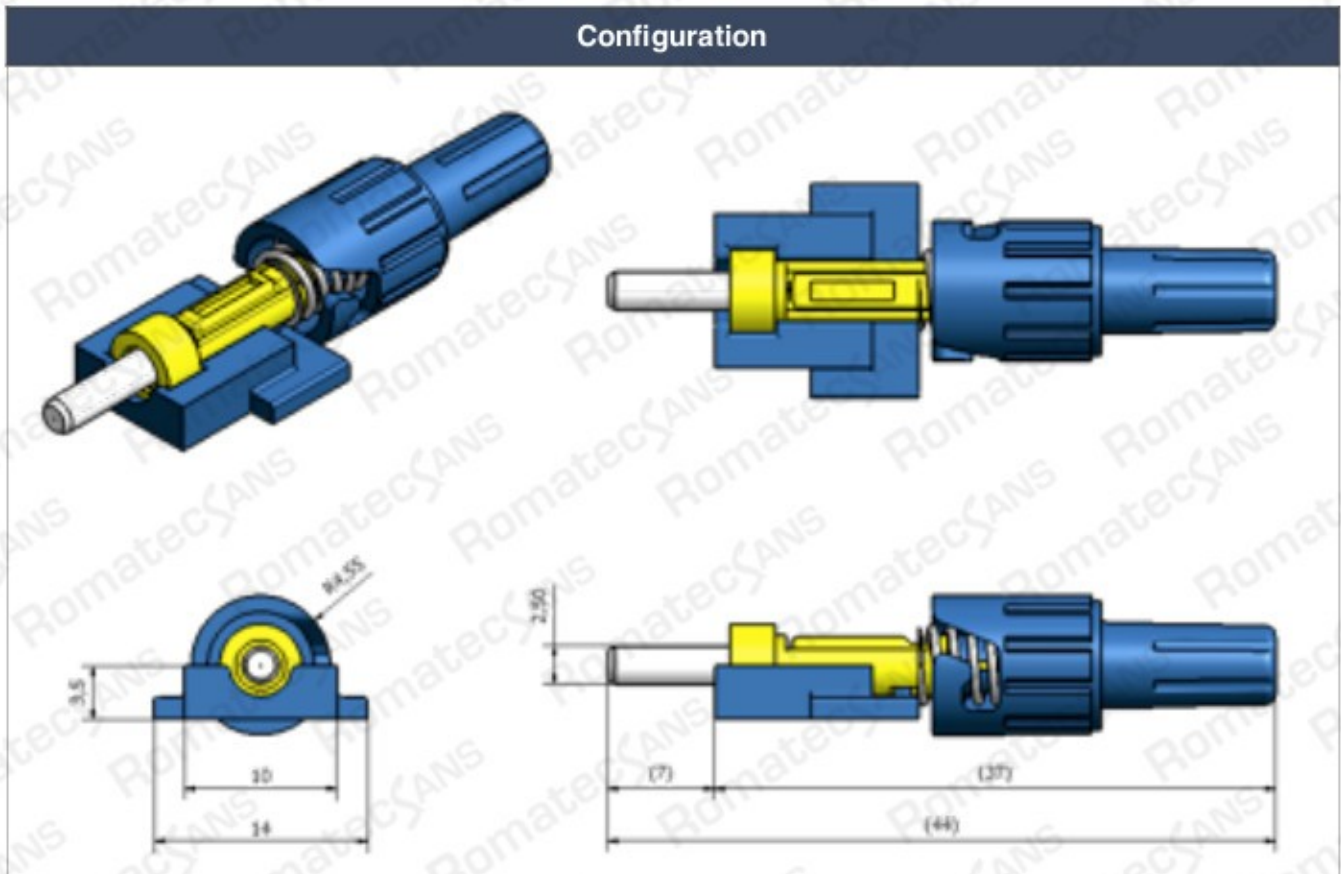
Romatecsans International Limited
7/F., Catic Building, No. 44 Tsun Yip
Street, Kowloon, Hong Kong
Tel. +852 8199 9706
asia@romatecsans.com

CHILE

Importadora y Exportadora Romatecsans Ltda.
Carmen Farina 6758, Vitacura,
Santiago, Chile
Tel.: +56 22 9797 922
ventas@romatecsans.com

sales@romatecsans.com
www.romatecsans.com





ORDERING INFORMATION

Product		Connector	Polishing		Diameter	
FIC	Field Installable Connector	ST	A	APC	A	250um
			U	UPC	B	900um
					C	2mm
					D	3mm

ORDERING INFORMATION EXAMPLE

FIC	ST	A	C
------------	-----------	----------	----------

Configuration: Fiber Optic Field Installable Connector ST APC 2mm

HONG KONG

Romatecsans International Limited
7/F., Catic Building, No. 44 Tsun Yip
Street, Kowloon, Hong Kong
Tel. +852 8199 9706
asia@romatecsans.com

CHILE

Importadora y Exportadora Romatecsans Ltda.
Carmen Farina 6758, Vitacura,
Santiago, Chile
Tel.: +56 22 9797 922
ventas@romatecsans.com

sales@romatecsans.com
www.romatecsans.com

